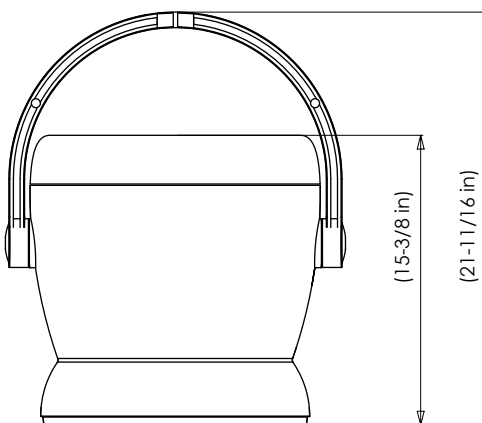


# H30 AC Premium Efficiency

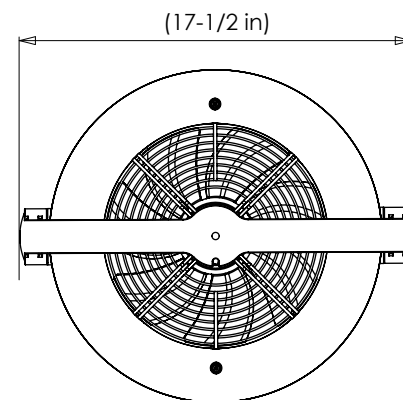
H-SERIES | FOR OPEN CEILINGS UP TO 30' HIGH



Installed View



Side View



Top View

## Typical Specifications

De-stratification fan with airflow of 670 CFM at full speed that operates with a variable speed controllable, externally wound motor. Must have fire resistant enclosure and multifunctional air guide with aerodynamic vanes to tighten the air column and increase throw. Cannot have exposed blades like a traditional ceiling fan. Blades will have a serrated trailing edge and winglet and shall be constructed of high-performance composite, uncoated material. Must be variable speed controllable from an analog controller via a 0-10 VDC or 4-20 mA control signal, or a direct in-line speed controller. Must include a 200-pound safe working load main cable attachment system and a separate stabilization / safety tether.

## Installation Hardware Included

- > 8' cable with fast-locking Gripple® and attachment hardware. Cable rated at 200 lb. safe working load with a 5:1 safety factor, UL Listed.
- > 12' stabilization tether with fast-locking Gripple and attachment hardware. Cable rated at 100 lb. safe working load with a 5:1 safety factor, UL Listed.

## Warranty



- > 2-Year Parts



## Selection Table

Model	Volts	Amps	Quantity
H30-AC115-____	115	0.44	
H30-AC230-____	230	0.23	

## Colors

Model	Color	Quantity
H30-____W____	Off-White 	
H30-____B____	Black 	

## Option

Model	Description	Quantity
H30-____C	6' Cord, 3-Prong Plug	

## Additional Option\*

Model	Description	Quantity
H30-____G	Exhaust Safety Grill	

## Speed Controllers\*

Part #	Description	Quantity
VS-5A-115V	Variable Speed 5 Amp 115V Controller	
VS-10A-115V	Variable Speed 10 Amp 115V Controller	
AVS-7.5A-____	Advanced Variable Speed 7.5 Amp Controller Auto-Detect 95V-250V	

### Control Methods:

AVS-7.5A-BAS	BAS, 0-10VDC or 4-20mA Analog Control Signal
AVS-7.5A-MAN	Manual, 10K Potentiometer
AVST-____-	Advanced Variable Speed Transformer

### Voltage:

AVST-115V-10A-____	115V	10 Amp
AVST-230V/277V-5A-____	230V/277V	5 Amp

### Control Methods:

AVST-____-BAS	BAS, 0-10VDC Analog Control Signal
AVST-____-MAN	Manual, User Interface
AVST-____-AUTO	Automatic, User Interface, 2 Temperature Sensors
AVS-MZTS-____	Advanced Variable Speed Multi-Zone Touch Screen

- 4                      4 - Zones

- 8                      8 - Zones                      See AVS-MZTS submittal for voltage and zone configuration options.

- 12                     12 - Zones

\*Additional Option and Speed Controllers are not included in base price.

# H30 AC Premium Efficiency

H-SERIES | FOR OPEN CEILINGS UP TO 30' HIGH

## Technical Specifications

### Motor

<b>Type</b>	Permanent Split Capacitor (PSC)	
<b>Drive</b>	Direct Drive	
<b>Bearings</b>	Sealed, Lifetime Lubricated	
<b>Protection</b>	Thermal Overload Protection	

### Electrical

<b>Volts</b>	115	230
<b>Hz</b>	60	50/60
<b>Watts</b>	46	46
<b>Amps</b>	0.44	0.23

### Performance

<b>CFM</b>	670
<b>RPM</b>	1590

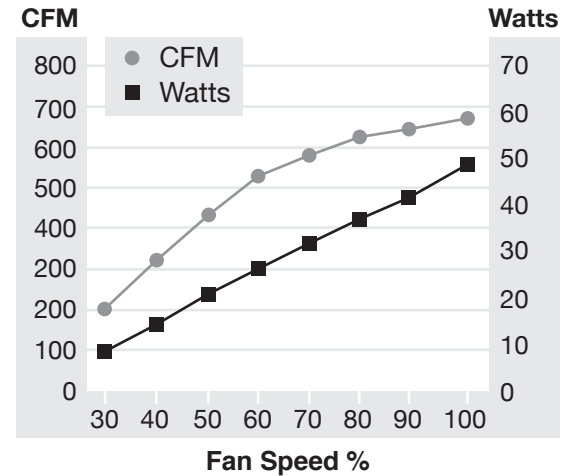
### Housing

<b>Type</b>	UV Treated, Flame Resistant Plastic
<b>Construction</b>	Durable Double-Wall
<b>Design</b>	Multifunctional Air Guide with Aerodynamic Vanes
<b>Protection</b>	Intake Safety Grill

### Certifications

ETL Listed in USA and Canada. Conforms to UL Standard 507 and Certified to CAN/CSA Standard CSA C22.2  
 Sound measurements in accordance with ISO 13347

### Fan Speed vs CFM and Power



### Sound Level Calculations

Hanging Height	dBa*
20 feet	44.3
25 feet	42.4
30 feet	40.8

\*based on non-reflective area

### Weight

	LBS	KG
<b>Hanging</b>	15	7
<b>Shipping</b>	22	10

## Project

## Comments

<b>Job Name:</b>	<input type="text"/>	<b>Date:</b>	<input type="text"/>	Comments area for project details.
<b>Job Address:</b>	<input type="text"/>			
<b>City:</b>	<input type="text"/>	<b>State:</b>	<input type="text"/>	
<b>ZIP:</b>	<input type="text"/>			
<b>Architect:</b>	<input type="text"/>			
<b>Engineer:</b>	<input type="text"/>			
<b>Contractor:</b>	<input type="text"/>			