



SUBURBAN MANUFACTURING COMPANY
 Post Office Box 399
 Dayton, Tennessee 37321



DYNALINE MODEL DL-1220T COMBINATION HEATING AND COOLING UNIT FOR YEAR ROUND OPERATION OWNER'S MANUAL INSTALLATION, OPERATING, AND SERVICE INSTRUCTIONS

This book contains instructions for installation and operation of your unit. Keep it in a safe place for ready reference.
 Should you require further information, contact your dealer.

FOR YOUR SAFETY

IF YOU SMELL GAS:

1. OPEN ALL WINDOWS.
2. DON'T TOUCH ANY ELECTRICAL SWITCHES.
3. EXTINGUISH ANY OPEN FLAMES.
4. IMMEDIATELY CALL YOUR GAS SUPPLIER.

FOR YOUR SAFETY

DO NOT STORE OR USE GASOLINE OR OTHER FLAMMABLE VAPORS AND LIQUIDS IN THE VICINITY OF THIS OR ANY OTHER APPLIANCE.

FOREWORD

You have just purchased a Suburban heating and cooling unit. This unit is certified by the American Gas Association as a Fan Type Direct Vent Wall Furnace With Cooling Unit, listed under the heading of Direct Vent Wall Furnaces in the Listings Directory. It is designed for use with natural gas or liquefied petroleum (LP) gas only.

To simplify the proper installation and to assure that the unit will operate in conformity with generally accepted safety regulations, it requires that you read carefully and fully understand the step-by-step instructions outlined in this manual.

NOTE: Do not deviate from the instructions as outlined in this manual. Failure to follow the installation, operating and maintenance instructions will void the responsibility of Suburban Manufacturing Company.

INSPECTING FOR FREIGHT DAMAGES

Your unit was carefully packed in a container which complies with the National Safe Transit Test. This means that the packaged product, with normal handling, will withstand the load conditions encountered in normal transit and in handling.

Your unit should be inspected immediately after unpacking to determine if any damage is present due to shipping or handling. If any damage is discovered, **do not install the unit.** Notify the transportation company immediately and file a damage claim.

The manufacturer can bear no responsibility for damages which occur in transit or for improper operation of the unit as a result of shipping damages.

For future reference, you should record the Model Number, Serial Number and Date Code of your unit.

MODEL NUMBER _____
SERIAL NUMBER _____
DATE CODE _____

INTRODUCTION

This manual is intended to familiarize the installer, serviceman and user with the installation, operation and maintenance of the heating and cooling unit.

These units are designed to be installed in residential homes and commercial buildings with a minimum wall thickness of 1" and a maximum wall thickness of 13". The unit is not certified for installation in mobile homes.

These units must be installed so that the rear portion is vented to the outside atmosphere. Do not attempt to alter the venting system of these units.

PRE-INSTALLATION TIPS

A. Choosing a suitable location:

The unit must be located along the outside wall of a room. A location should be selected with consideration for circulation of discharge (room) air. Generally, the location which provides the most effective circulation is midway along the way of the room the unit is to serve and away from a stairwell or other openings. The heater must not be located behind a door or at a point where a door, if left open, would tend to obstruct the heater.

NOTE: Do not install the heater in an alcove or recess which does not allow good air circulation.

MINIMUM INSTALLATION CLEARANCES

The following minimum outside clearances must be maintained:

- Rear of unit to nearest obstruction - 36"
- Side of unit to nearest obstruction - 0"

The unit should be high enough off the ground to prevent snow, water, leaves or any other obstruction from blocking rear of unit.

The following minimum inside clearances must be maintained:

- The flow of discharge air must not be restricted for a minimum of 36"
- Side of cabinet to nearest obstruction - 1"
- Floor - 3"
- Front of unit to nearest obstruction - 36"

Installation clearances to combustible construction:

- Bottom - 0"
- Top - 0"
- Sides - 0"

Please adhere to these clearances to provide adequate accessibility for servicing and proper operation.

Do not attempt to repair damage to any factory authorized parts are to be used.

This manual should be used when ordering repair parts. Keep it in a safe place for future reference.

When ordering parts from your dealer or distributor, always give the following information:

1. Part Name (Not Item Number)
2. Part Description
3. Model and Serial Number of Unit
4. Number of Parts Required

Item	Description	Part No.	Item	Description	Part No.	Item	Description	Part No.
1	Gasket, Wall Case (Top)	070675	65	Screw #8 x 1/4 (2 Required)	121244	130	Screw #8 x 3/8 (2 Required)	120158
2	Top, Wall Case With Gasket	101094	66	Relay	231032	131	Washer #10 Flat (2 Required)	070456
3	Gasket, Wall Case End (Short) (2 Required)	070677	67	Clamp, Wire	061663	132	Grommet (2 Required)	120158
4	Gasket, Wall Case End (Long) (2 Required)	070676	68	Screw #8 x 3/8 (2 Required)	120158	133	Screw #8 x 3/8 (3 Required)	120158
5	Nut, 10 - 24 Hex (Keps)	120117	69	Screw #4 - 40 x 1/2 (4 Required)	121286	134	Combustion Air Housing Cover Assembly	X050796
6	Wall Case Assembly (Bottom And Sides With Gaskets)	070673	70	Cover, Controls Access	101114	135	Nut #8 - 32 Hex Lock (2 Required)	121271
7	Trimmerman (4 Required)	101103	71	Relay (2 Required)	230925	136	Washer #10 Flat (2 Required)	070456
8	Screw #10 x 1/2 (4 Required)	121378	72	Screw #6 x 1/4 (2 Required, Per Relay)	121244	137	Grommet (2 Required)	120158
9	Screw #8 x 1/2 (4 Required)	121388	73	Screw #8 x 3/8 (2 Required)	120158	138	Motor Assembly, Combustion Air	070490
10	Terminal Board (Thermosol Wiring)	121847	74	Plate, Room Air Housing Extension	062606	139	Motor Assembly, Combustion Air	070490
11	Terminal Board (Thermosol Wiring)	121442	75	Screw #6 x 1/4 (2 Required)	121224	140	Boot, Capacitor (2 Required)	231231
12	Nomenclature	530026	76	Bracket, Terminal Board	062716	141	Coupling Assembly	X050851
13	Vertical Cap Assembly	X260139	77	Screw #8 x 3/8	120158	142	Tube, Exhaust	X050899
14	Screw #8 x 1/2 Gold Anodized (2 Required)	121591	78	Clamp, Wire	061663	143	Grommet (2 Required)	120158
15	Cabinet, Left Side (Rear Hall)	070336	79	Screw #8 x 3/8 (4 Required)	120158	144	Condenser Air Deflector Assembly	040335
16	Air Discharge Grill	030359	80	Blower Housing Assembly (Room Air With Seal Strip)	X390349	145	Combustion Air Turner Assembly	X050801
17	Cabinet Top Assembly With Insulation (Front Hall)	101060	81	Screw #5 x 1/4 (2 Required)	121224	146	Capacitor 25 MFD	230830
18	Cabinet Top Assembly With Insulation (Front Hall)	120156	82	Wheel, Room Air	350096	147	Spacer Bracket	062700
19	Cabinet Left Side (Front Hall) With Insulation And Seal Strip	101052	83	Controls Box Assembly With Insulation	110512	148	Tube, Suction	170928
20	Filter, Return Air	030600	84	Gasket, Burner Tunnel Air Inlet	070660	149	Tube Assembly Discharge	070700
21	Bracket, Filter Retainer (Left)	062619	85	Gasket, Combustion Air Crossover	070662	150	Insulation, Cabinet Base	120158
22	Bracket, Filter Retainer (Right)	101051	86	Screw #8 x 3/8 (10 Required)	120158	151	Screw #8 x 3/8 (4 Required)	070650
23	Capacitor Front Panel Assembly With Insulation	X101048	87	Screw #10 x 1/4 (2 Required)	121577	152	Gasket, Exhaust Tube Plate	070708
24	Cover, Junction Box	090234	88	Washer #6 Flat	062822	153	Bushing, Universal	170780
25	Screw #8 - 32 x 3/8	510405	89	Vent Door Assembly With Gasket	380110	154	Tube, Capillary (2 Required)	121439
26	Bushing, Strain Relief	120158	90	Gasket, Vent Door (2 Required)	062822	155	Nut 5/16 - 18 Hex Whiz Lock (3 Required)	120779
27	Screw #8 x 3/8	061663	91	Screw #8 x 3/8 (4 Required)	120158	156	Reducer, Discharge Line	380117
28	Clamp, Wire	061663	92	Screw #8 x 1/2	121591	157	Compressor Assembly (Note: Also Order With Compressor Item #158)	070382
29	Bracket, Filter Retainer (Right)	062620	93	Terminal Block	230944	158	Support, Compressor Mounting (3 Required)	030782
30	Spacer Panel (4 Required)	121632	94	Red. Vent Door	140172	159	Tube, Strainer Connector	120158
31	Nut, 10 - 24 Hex (Keps)	121576	95	Trimmerman (2 Required)	121442	160	Screw #8 x 3/8 (19 Required)	120158
32	Module Board	230954	96	Cabinet Base Assembly With Insulation	101050	161	Strainer, Capillary	170781
33	Control Access Door Assembly	030633	97	Nut #2 - 56 Hex (2 Required)	120672	162	Screw #8 x 3/8 (2 Required)	120158
34	Knob, Control Access Door	140136	98	Washer #2 Lock (2 Required)	121364	163	Combustion Chamber Assembly	X021004
35	Bracket, Top Assembly With Insulation (Rear Hall)	101061	99	Screw #2 - 56 x 5/8 (2 Required)	121247	164	Gasket, Burner Access Door	070388
36	Accordion Panel Fastener (2 Required)	121477	100	Microswitch Assembly	X231070	165	Cover Plate	230120
37	Cabinet Right Side, Rear Hall With Seal Strip	101038	101	Bracket, Microswitch Mounting	062666	166	Glass Disc	310026
38	Bushing, Universal	070498	102	Plug Button	070423	167	Gasket, Igniter (2 Required)	070566
39	Button, Vent Door Lever	121244	103	Washer, Flat (3 Required)	121532	168	Igniter Assembly (Silo Bar)	230811
40	Screw #6 x 1/4 (4 Required)	120158	104	Nut, 1/4 - 20 Hex Lock (3 Required)	121532	169	Screw #8 x 3/8 (2 Required)	120158
41	Plate, Controls Indicator	062621	105	Washer, Flat (3 Required)	121532	170	Relief, Igniter	062445
42	Bracket, Controls Mounting	120158	106	Screw #8 - 32 x 3/8 (Green)	121532	171	Screw #6 x 3/8 (2 Required)	121532
43	Screw #8 x 3/8 (2 Required)	120158	107	Motor Room And Condenser Air	231068	172	Frame Probe	231017
44	Switch, Fan	230736	108	Screw #8 x 3/8 (3 Required)	120158	173	Screw #6 x 3/8	121502
45	Cap. Evaporator Coil	380100	109	Nut, 1/4 - 20 Hex Lock (3 Required)	121532	174	Nut #10 - 24 Hex (2 Required) (Burner Mounting)	120717
46	Screw #8 x 3/8 (2 Required)	120158	110	Washer, Flat (3 Required)	121532	175	Nut #10 - 24 Hex (4 Required) (Access Door To Chamber)	030602
47	Coil, Evaporator	380091	111	Motor Room And Condenser Air	231068	176	Burner Assembly	X010966
48	Evaporator Drain Pan Assembly With Insulation And Gasket	380107	112	Screw #8 - 32 x 3/8 (Green)	121532	177	Gasket, Manifold	180186
49	Bottom Bracket Assembly (Wall Case Mounting)	062634	113	Bracket Assembly, Water Slinger	121642	178	Orifice, Main Burner (Natural Gas Only)	180187
50	Side Radiation Shield Assembly With Insulation	110513	114	Washer, Nylon (2 Required)	124565	179	Orifice, Main Burner (Natural Gas Only)	180187
51	Screw #8 x 3/8 (2 Required)	120158	115	Bracket Assembly, Water Slinger	X062662	180	Manifold Assembly	X170032
52	Transformer	230729	116	Coil, Condenser	070241	181	Fitting, Reducer	170276
53			117	Screw #8 x 3/4 S.S. (2 Required)	121649	182	Union	170276
54			118			183	Valve 24 Volt (LP Gas Only)	180822
55			119			184	Valve 24 Volt (Natural Gas Only)	180821
56			120			185	Valve Manual Shut-Off	160554
57			121			186		
58			122			187		
59			123			188		

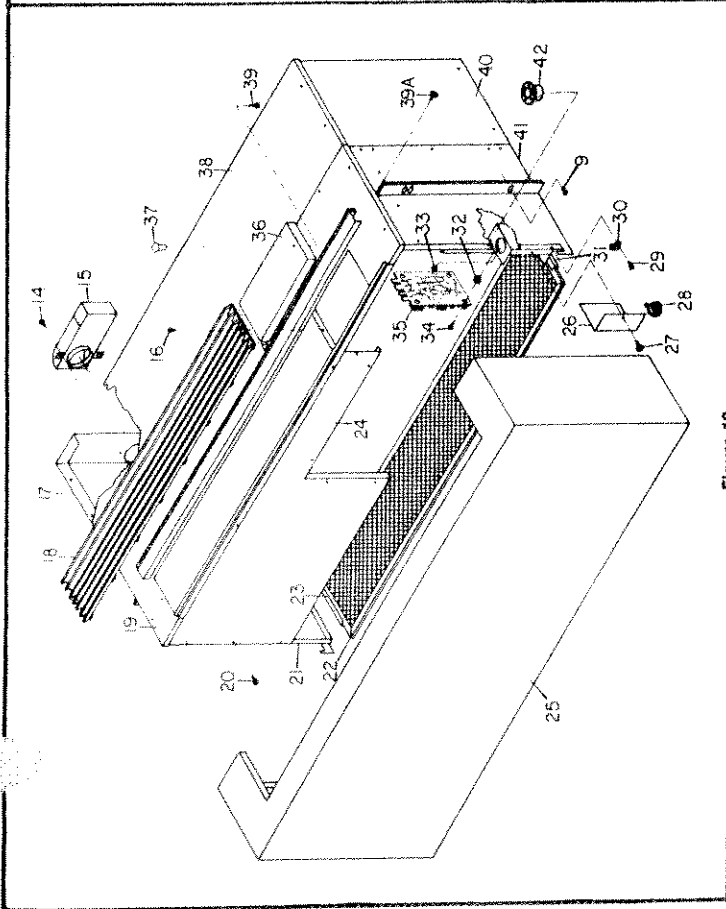


Figure 10

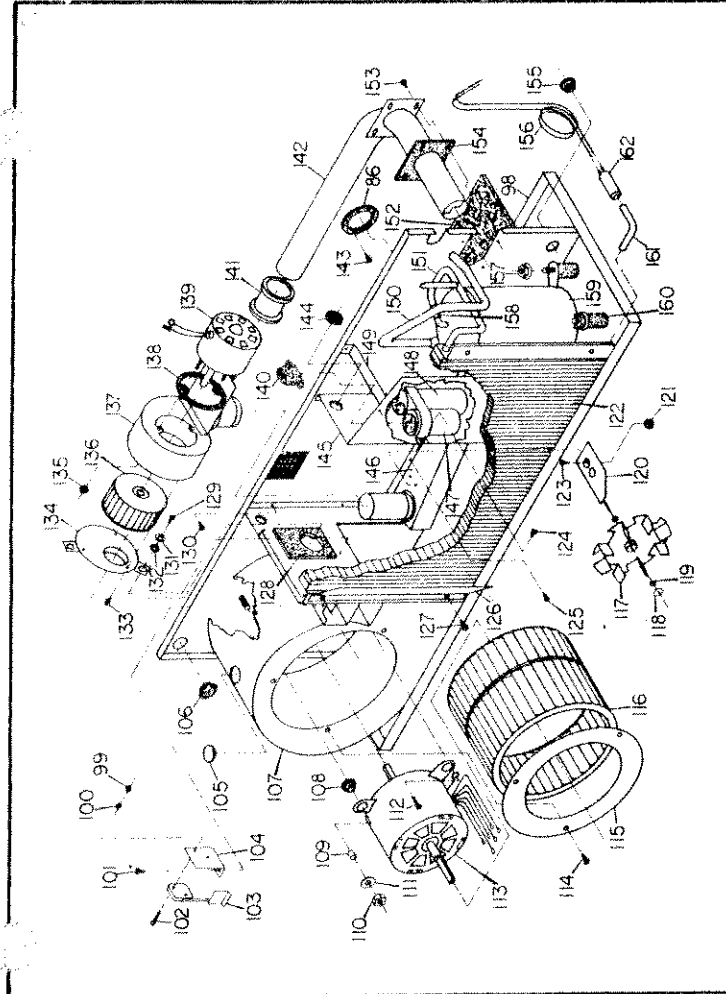


Figure 12

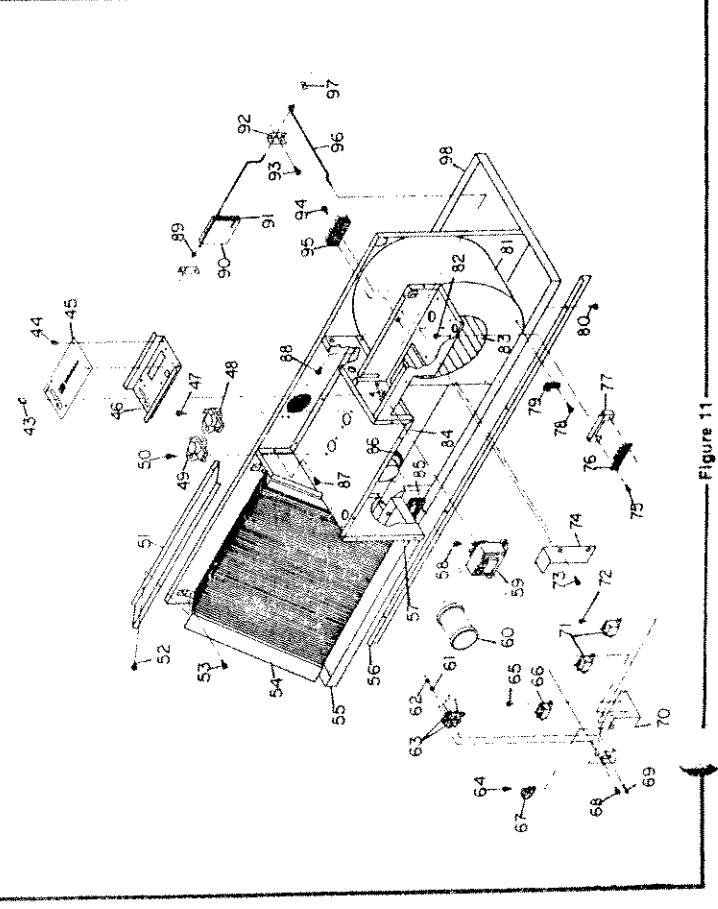


Figure 11

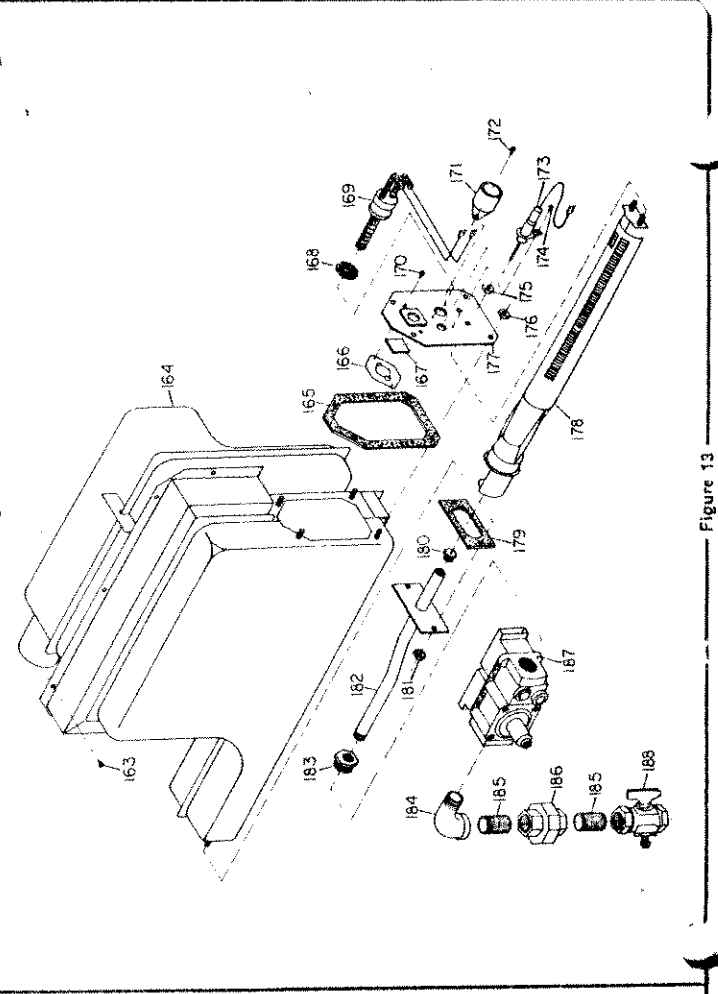


Figure 13

11





Dayton, Tennessee • Elkhart, Indiana • Anaheim, California

Technical Services Information

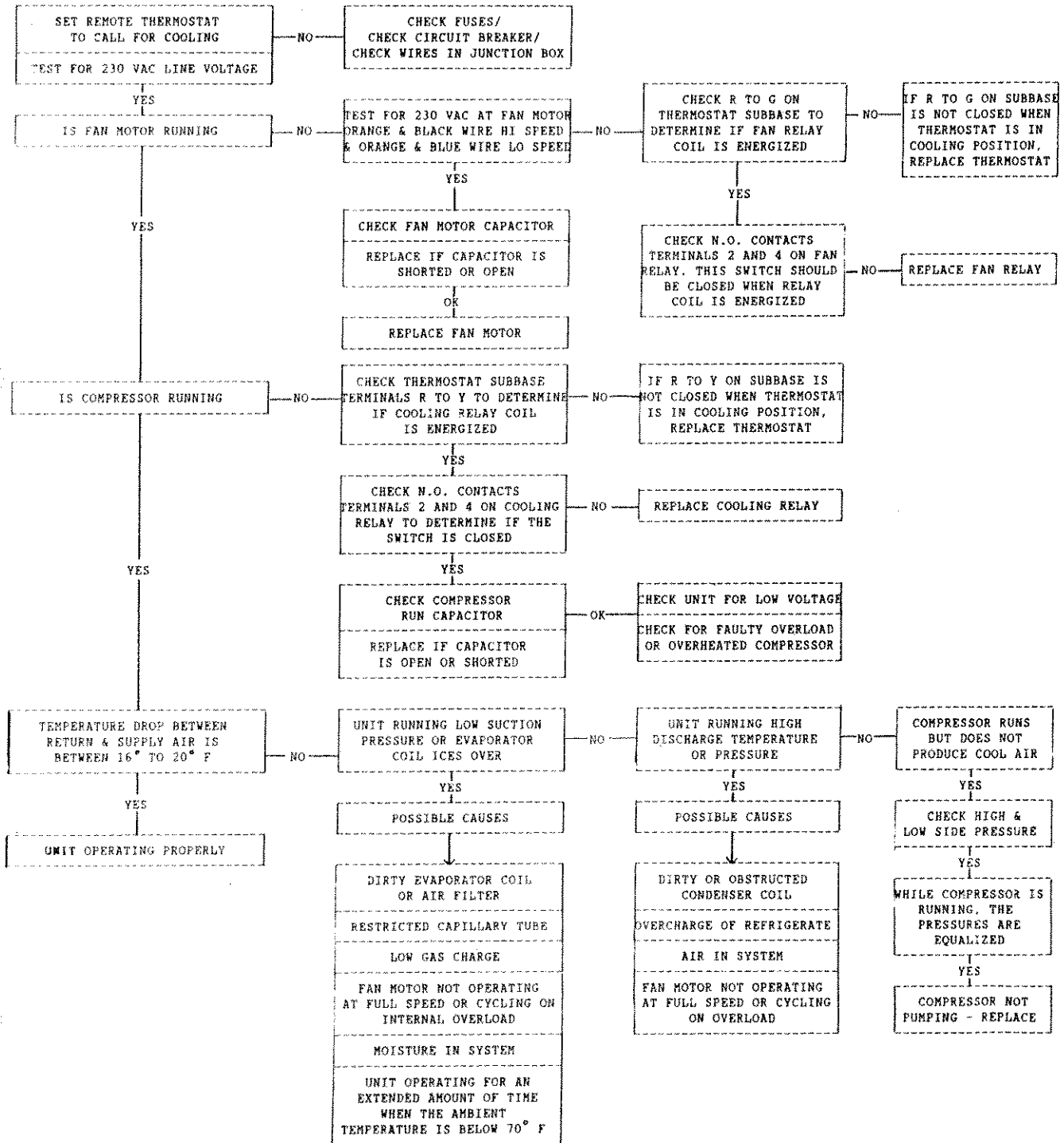
Trouble-shooting Guide/Cooling Cycle
For Models DL-0912T and DL-1220T

TSI: RG87-118

Date: 09/04/8

SERVICE BULLETIN

DL 0912T AND DL 1220T





Dayton, Tennessee • Elkhart, Indiana • Anaheim, California

Technical Services Information

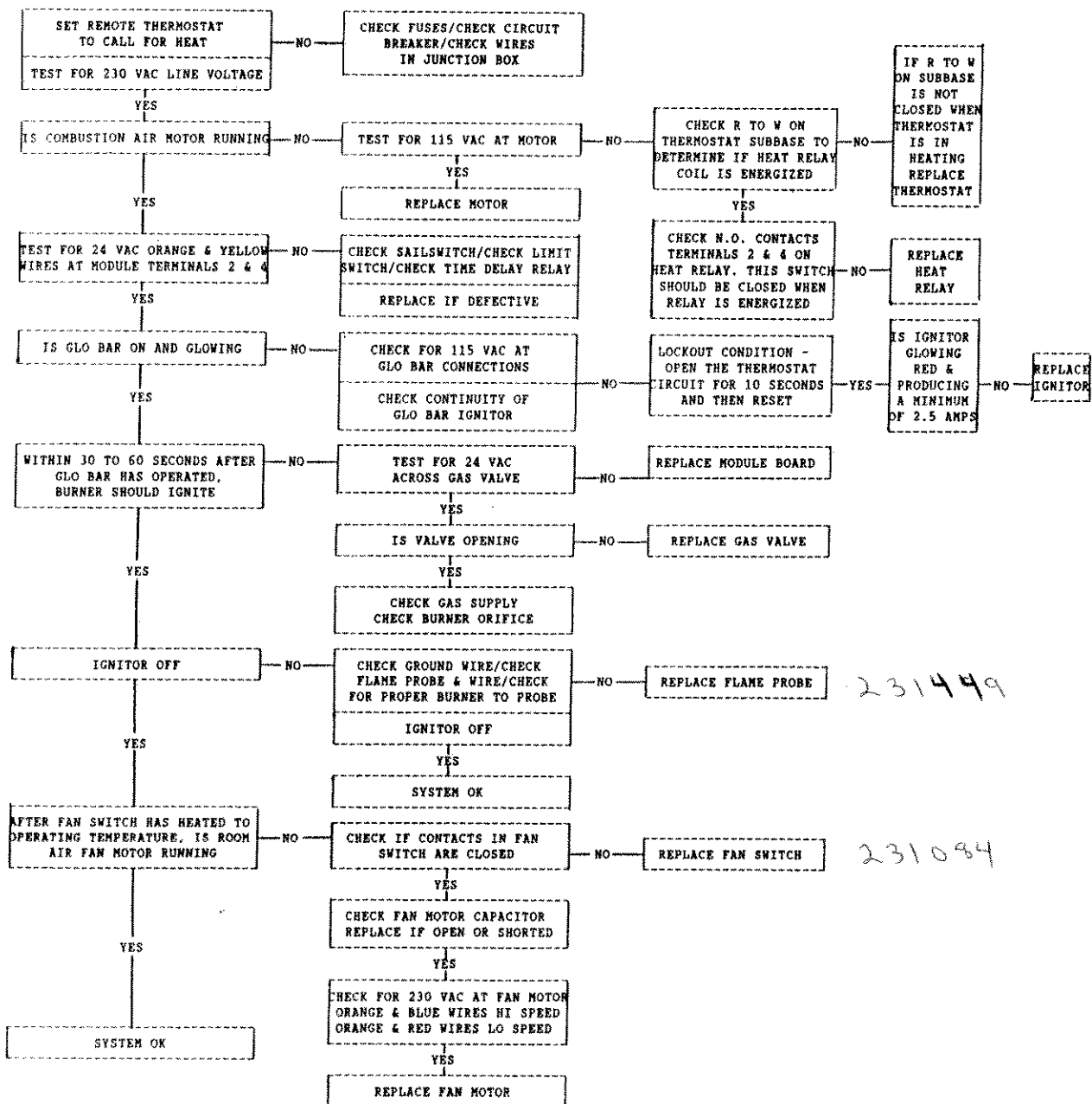
Dynalene-Models DL-0912T and DL-1220
 Trouble-shooting Guide
 Carborundum Glo-bar System
 Heating Section

TSI: RG87-119

Date: 09/04/87

SERVICE BULLETIN

FOR MODELS DL-0912T & DL-1220T



231499

231084

FB: PUSH BUTTON SWITCH
 TDR: TIME DELAY RELAY

*SEE WIRING DIAGRAM APPLICABLE UNIT FOR COLOR CODES

